



BLEED AIR SYSTEMS & COMPONENTS



FMH Aerospace

17072 Daimler St.
Irvine, CA 92614

Get in touch

 [Click Here](#)
www.fmhaerospace.com

BLEED AIR SYSTEM COMPONENTS

FMH Aerospace has the internal capability of bending tubing to 6" OD, with the ability to form to 1D bends. We have fusion and resistance welding capability. Also, NDT capability for Fluorescent Penetrant Inspection, Digital Radiographic Inspection, mass spectrography leak check and pressure test. We can insulate with a variety of materials sewn silicone impregnated fiberglass fabric, foil CRES outer cover, or other types as required over a variety of insulation types including fiberglass blanket, pre-preg former insulation.

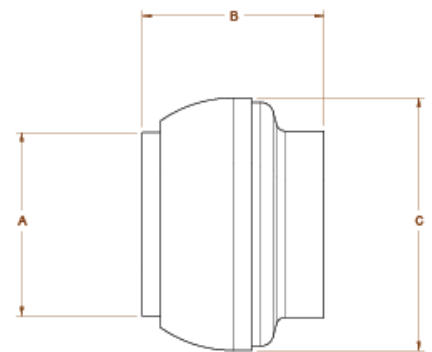
Ball Joints:



Specifications:

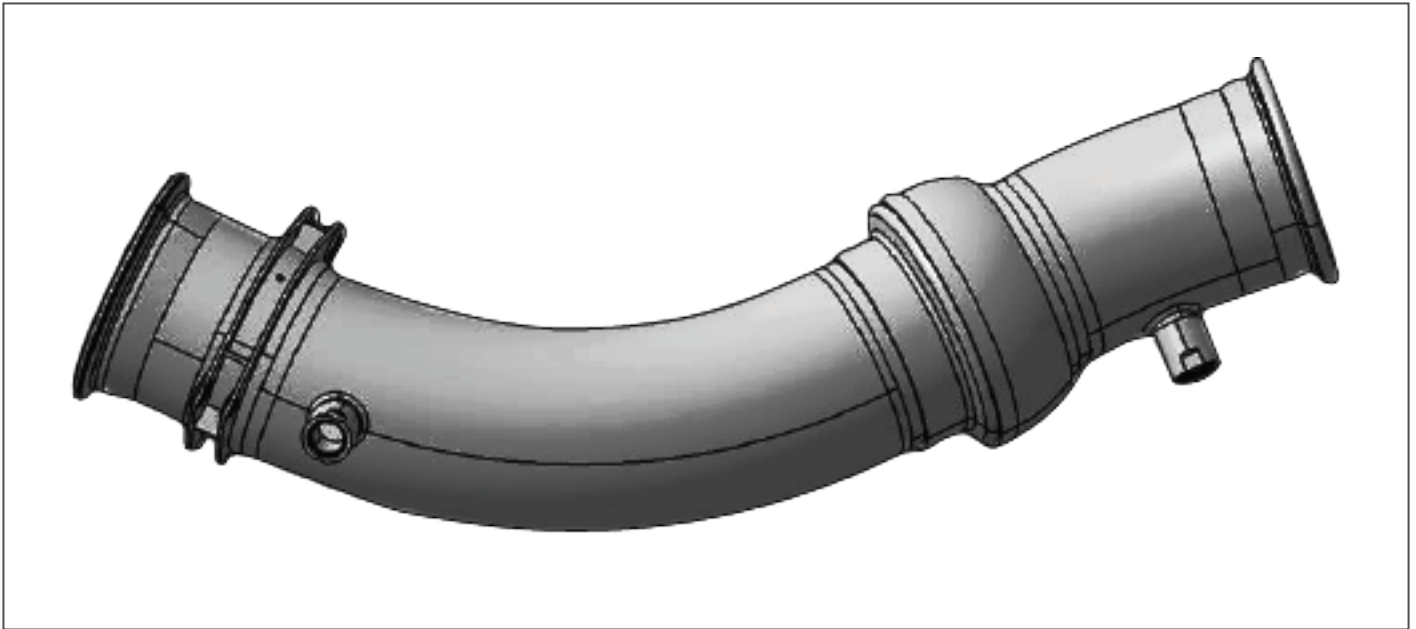
- **Size range:** 1.0", 1.5", 2.0", 3.0", 3.5", 4.0" with larger sizes available upon request
- **Materials:** Nickel alloy 718, 300 series CRES, other materials possible on request
- **Temperature:** Ranges from -65 °F to 1245 °F depending on size and material
- **Operating Pressure:** Up to 300 psig depending on size and material

P/N	Duct Dia 'A'	OAL 'B'	Dia 'C'	Angulation
20392-6	1.00	2.04	1.75	6°
20392-7	1.50	2.47	2.50	6°
20392-8	2.00	2.57	3.12	6°
20392-9	2.50	2.57	3.062	6°
27926-3	3.00	3.23	4.29	6°
27926-5	3.50	3.50	4.86	6°
29362-1	4.00	3.10	5.30	7.5°



BLEED AIR SYSTEMS

Bleed air systems, in general, being custom configurations, FMH Aerospace produces standard components to be built into systems. FMH Aerospace manufactures - Ball Joints, Gimbal Joints, Link Joints, Flanges, and Custom Tubing.



Specifications:

- **Size range:** 1" to 6" ID
- **Materials:** -70 °F to +1200 °F (-570 °C to +649 °C)
- **Temperature:** Fluid up to 300 psig
- **Operating Pressure:** Stock CRES and inconel, with other materials available upon request insulation can be provided with customer requirements

